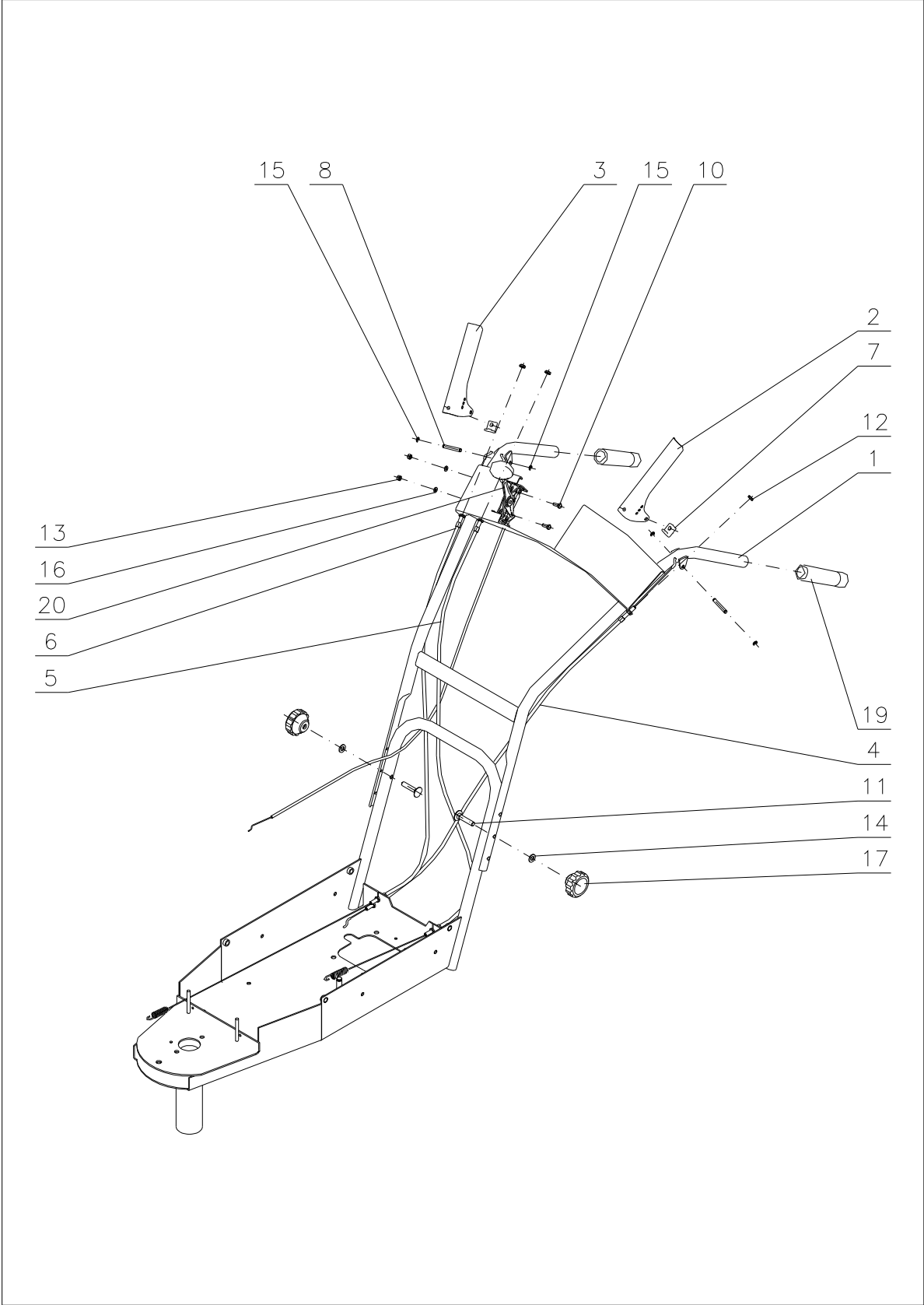
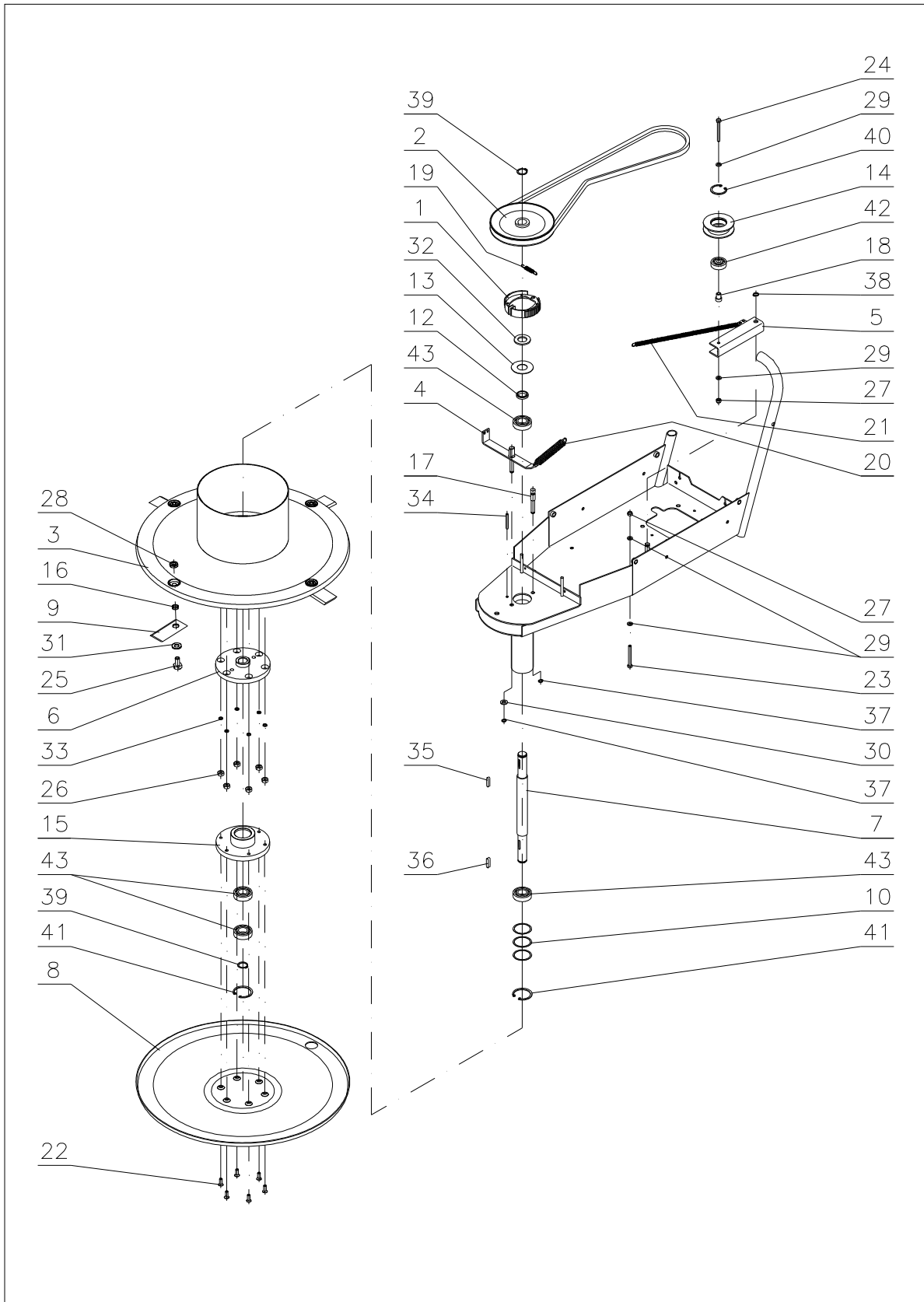


Machine casing					
Pos.	Part Name	Dimensions	Drawing-Standard	Part No.	Pcs
1	Frame		22 9 1536 050	196 001	1
2	Screen holder		22 9 1856 005	169 016	1
3					
4	Handle assembly	(incl. Pos. 36)	22 9 8044 009	196 016	1
5	Upper cover		22 9 8545 034	196 049	1
6	Cutting disc cover		22 9 8549 016	196 050	1
7	Cover extension		32 0 8542 039	196 051	1
8	Mud flap		32 0 8530 036	189 115	1
9	Cover holder		32 0 1530 132	196 048	2
10	Mud flap pad		32 0 9230 010	182 010	1
11	Cover coupling		622 9 1540 010	196 507	1
12	Pillar		632 0 1520 051	196 527	1
13					
14	Screen		632 0 1840 072	196 512	1
15	Left mudguard		632 0 8545 045	196 506	1
16	Right mudguard		632 0 8545 046	196 505	1
17	Lower cover		632 0 8545 068	196 549	1
18	Bolt	M5x10	ČSN 02 1103.25	195 525	2
19	Bolt	M6x16	ČSN 02 1103.25	189 552	5
20	Bolt	M6x20	ČSN 02 1103.25	189 551	7
21	Bolt	M8x16	ČSN 02 1103.25	106 547	4
22					
23	Nut	M6	ČSN 02 1492.25	168 516	15
24	Nut	M8	ČSN 02 1492.25	104 622	1
25	Washer	6,4	ČSN 02 1702.15	189 571	14
26	Washer	8,4	ČSN 02 1702.15	131 517	1
27	Washer	6,6	ČSN 02 1727.15	169 508	10
28	Washer	5,5	ČSN 02 1729.25 ČSN 02 1727.15	195 531 189 589	1 1
29					
30					
31	Washer	8,2	ČSN 02 1740.05	104 574	4
32	Bolt with plastic head	M8x20 D.50 "JJZ"	EUROPLAST	171 525	1
33	Nut cap	034-03-M6	SUNAP Neratovice	169 505	2
34	Nut cap	034-03-M8 (13)	SUNAP Neratovice	169 504	1
35	Square plug	20x20	SUNAP Neratovice	169 506	1
36	Cylindrical cap	14x70 red	VINYL-FLEX	189 578	1



Handlebars					
Pos.	Part Name	Dimensions	Drawing-Standard	Part No.	Pcs
1	Handlebars weldment		22 9 8078 059	196 002	1
2	Wheel drive clutch lever		32 1 8058 009A	196 013	1
3	Cutting disc drive lever		32 1 8058 009B	196 067	1
4	Clutch bowden cable		622 9 8074 044	196 515	1
5	Pulley bowden cable		622 9 8074 045	196 516	1
6	Brake bowden cable		622 9 8074 046	196 517	1
7	Lever stop		632 0 8065 002	196 519	2
8	Lever pin		632 0 9311 157	196 520	2
9					
10	Bolt	M5x12	ČSN 02 1103.25	184 524	2
11	Bolt	M8x50	ČSN 02 1319.25	189 593	2
12	Nut	M6	DIN439 (02 1403.25)	105 520	3
13	Nut	M5	ČSN 02 1492.25	105 518	2
14	Washer	8,4	ČSN 02 1702.15	131 517	2
15	Yoke ring	4	ČSN 02 2929.05	189 576	4
16	Washer	5,3	ČSN 021702.15	189 581	2
17	Plastic nut	M8-D.50 "JJW"	EUROPLAST	189 521	2
18					
19	Rubber handle	ART 773 black		195 518	2
20	Accelerator lever	1AT09007	32 1 8058 011	196 548	1

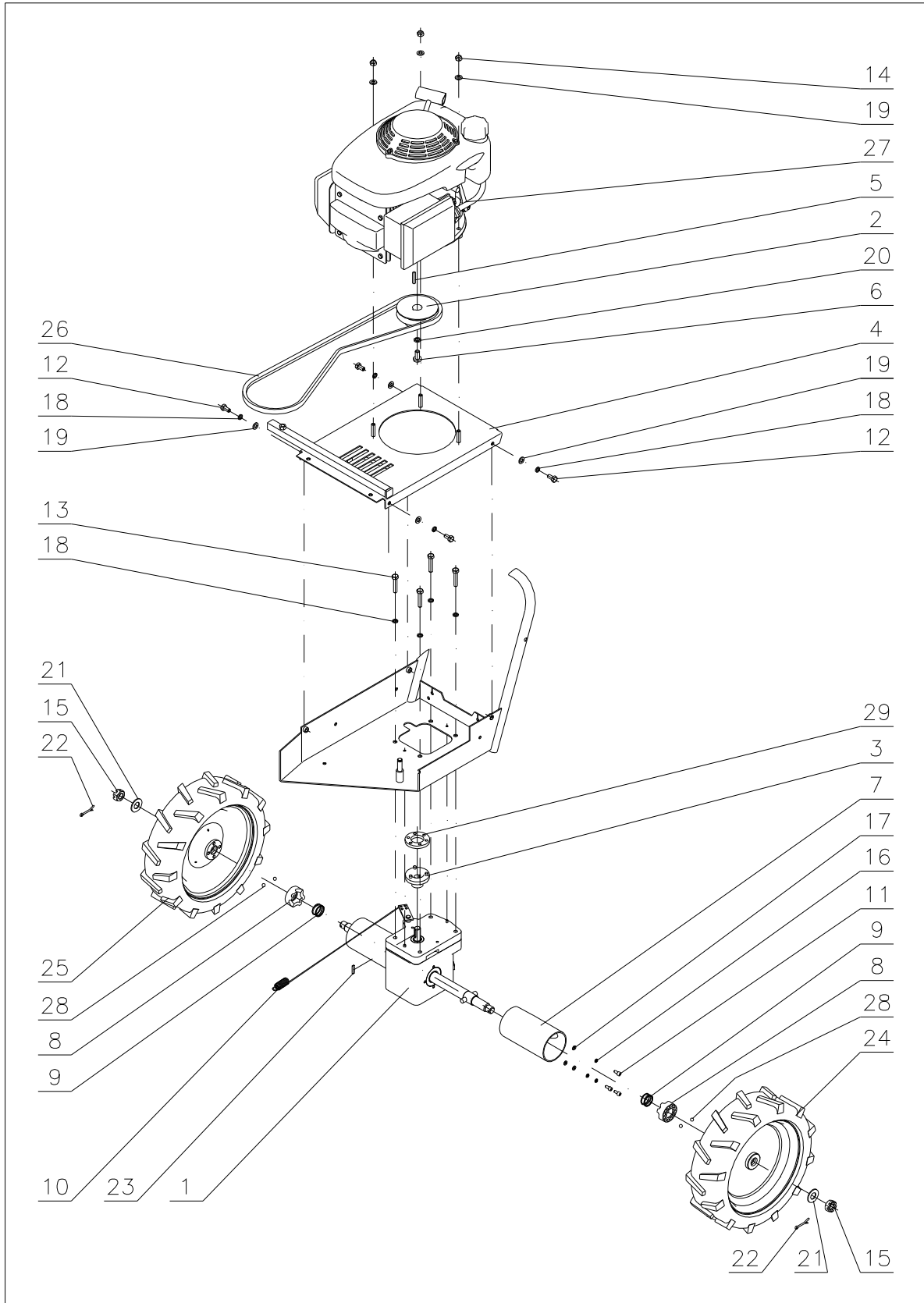


Cutting disc drive					
Pos.	Part Name	Dimensions	Drawing-Standard	Part No.	Pcs
1	Brake shoe		22 9 1664 024	189 014	2
2	Driven pulley		22 9 3325 012	189 004	1
3	Upper disc		22 9 5025 011	196 056	1
4	Brake cam		22 9 8032 048	196 003	1
5	Pulley arm		32 0 3330 034	196 010	1
6	Disc holder		32 0 3821 017	189 058	1
7	Drive shaft		32 0 3822 022	196 005	1
8	Lower disc		32 0 5020 011	189 057	1
9	Blade		32 0 6030 009	189 060	4
10	Shim	42/36/0,1	32 0 9220 024	110 012	3
11					
12	Spacing ring		32 0 9220 199	189 011	1
13	Cover		32 1 9220 126	127 014	1
14	Pulley		632 0 3325 040	189 586	1
15	Flange		632 0 3821 015	189 059	1
16	Washer	14	632 0 9220 205	189 061	4
17	Brake shoe pin		632 0 9311 152	196 524	1
18	Pulley bearing sleeve		632 0 9320 071	196 528	1
19	Brake shoe spring		632 0 9746 044	189 511	1
20	Spring	TZ1,8x16,2x63x20	FEVOZ Slavičín	169 514	1
21	Spring	T 080.088.0632	FEVOZ Slavičín	184 553	1
22	Bolt	M6x14	ČSN 02 1151.25	189 557	6
23	Bolt	M6x45	ČSN 02 1103.25	195 523	1
24	Bolt	M6x30	ČSN 02 1103.25	184 552	1
25	Bolt	M10x20	ČSN 02 1103.55	1512527	4
26	Nut	M6	ČSN 02 1401.25	1800141	6
27	Nut	M6	ČSN 02 1492.25	168 516	2
28	Nut	M10 (OK16)	ČSN 02 1403.25	111 503	4
29	Washer	6,4	ČSN 02 1702.15	189 571	4
30	Washer	8,4	ČSN 02 1702.15	131 517	1
31	Washer	10,5	DIN125 (02 1702.15)	189 567	4
32	Washer	21	ČSN 02 1702.15	124 530	1
33	Washer	6,1	ČSN 02 1740.05	6510920	6
34	Pin	5x40	ČSN 02 2156	196 502	1
35	Key	5x5x25	ČSN 02 2562	189 574	1
36	Key	6x6x25	ČSN 02 2562	169 503	1
37	Retaining ring	8	ČSN 02 2930	195 534	2
38	Retaining ring	10	ČSN 02 2930	6021519	1
39	Retaining ring	20	ČSN 02 2930	110 515	2
40	Retaining ring	35	ČSN 02 2931	126 503	1
41	Retaining ring	42	ČSN 02 2930	136 506	2
42	Bearing	6300 2RS	ČSN 02 4630	189 585	1
43	Bearing	6004 2RS	ČSN 02 4630	9943158	4

NOTE:

- 1) The machine is supplied with a barrel spanner No. 16 with handle.
- 2) A set of spare blades is supplied under the following designation (included: Pos. 9, 16, 25, 28, 31):

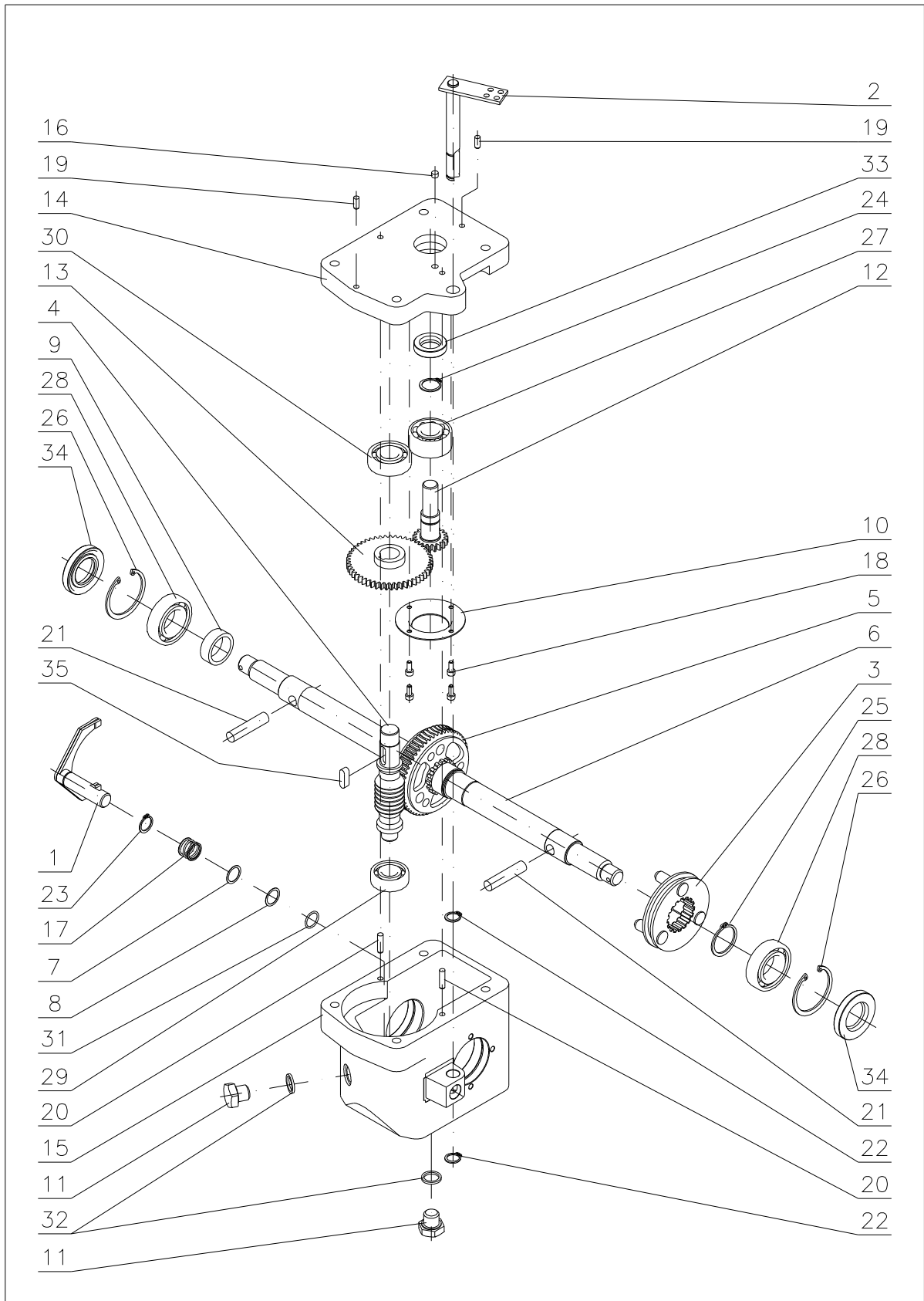
Set of spare blades	12 9 8565 238	189 081
---------------------	---------------	---------



Wheel drive					
Pos.	Part Name	Dimensions	Drawing-Standard	Part No.	Pcs
1	Gearbox		22 9 3282 052	196 014	1
2	Driving pulley		22 9 3325 032	196 046	1
3	Driven clutch element		32 0 3625 029B	196 045	1
4	Engine plate		22 9 8032 049	196 007	1
5	Key	3/16"	32 0 3330 021	189 036	1
6	Bolt	W 3/8"	32 0 9016 057	105 011	1
7	Cuff		632 0 1642 008	189 507	2
8	Free wheel clutch		632 0 8021 026	196 509	2
9	Spring		632 0 9746 046	189 512	2
10	Wheel coupling spring		632 0 9746 056	196 518	1
11	Bolt	M5x12	ČSN 02 1143.50	189 580	6
12	Bolt	M8x16	ČSN 02 1103.25	106 547	4
13	Bolt	M8x40	ČSN 02 1103.25	196 503	4
14	Nut	M8	ČSN 02 1492.25	104 622	3
15	Nut	M16x1,5	ČSN 02 1412.25	189 560	2
16	Washer	5,1	ČSN 02 1740.05	127 512	6
17	Washer	5,3	ČSN 02 1702.15	189 581	6
18	Washer	8,2	ČSN 02 1740.05	104 574	8
19	Washer	8,4	ČSN 02 1702.15	131 517	7
20	Washer	10,2	ČSN 02 1740.05	106 530	1
21	Washer	17	ČSN 02 1702.25	189 566	2
22	Cotter pin	4x32	ČSN 02 1781.05	189 577	2
23	Key	4x4x18	ČSN 02 2562	196 508	1
24	Left wheel	3.00-8 EP-007	ET-91590	see below	1
25	Right wheel	3.00-8 EP-007	ET-91590	see below	1
26	V-belt	X13x1300 Ld 6T6K	OPTIBELT	196 504	1
27	HONDA engine	GCV 160 or GCV 190		171 535 184 624	1
28	Ball	Diam. 7,144		189 575	4
29	Rubber element		632 0 9220 231	196 545	1

NOTE: for easy replacement the wheels are supplied with pressed-on balls (pos. 28) under the designations as follow:

Left wheel	22 1 1770 024	189 042	1
Right wheel	22 1 1770 025	189 043	1



<h1>Gearbox</h1>					
Pos.	Part Name	Dimensions	Drawing-Standard	Part No.	Pcs
1	Fork weldment		22 1 3330 013A	189 078	1
2	Complete lever		22 9 3330 017	196 022	1
3	Complete driving disc		22 9 3616 006	189 029	1
4	Worm shaft	2:54	32 0 3214 028	196 023	1
5	Worm gear		32 0 3221 013	124 037	1
6	Shaft - Wheel axle		32 0 3814 008	189 028	1
7	Shim	20/14,2/0,2	32 0 9220 115	127 027	1
8	Shim	20/14,2/0,3	32 0 9220 114	127 026	1
9	Spacer ring 10,7		32 0 9220 195	189 032	1
10	Cup		32 0 9220 197	196 032	1
11	Plug		32 1 9016 036	106 050	2
12	Pinion 19 teeth		632 0 3014 010	196 530	1
13	Gear 51 teeth		632 0 3021 028	196 529	1
14	Cover		632 0 3253 044	196 511	1
15	Box		632 0 3253 045	196 510	1
16	Felt		632 0 9520 045	189 528	1
17	Spring		632 0 9746 047	189 527	1
18	Bolt	M4x10	ČSN 02 1143.50	196 521	4
19	Pin	5x12	ČSN 02 2150	196 522	2
20	Pin	5x20	ČSN 02 2150	189 556	2
21	Pin	10x45	ČSN 02 2150	2010260	2
22	Retaining ring	12	ČSN 02 2930	6021502	2
23	Retaining ring	14	ČSN 02 2930	110 513	1
24	Retaining ring	17	ČSN 02 2930	110 514	1
25	Retaining ring	28	ČSN 02 2930	189 553	1
26	Retaining ring	47	ČSN 02 2931	126 504	2
27	Bearing	3203	ČSN 02 4630	196 533	1
28	Bearing	6005	ČSN 02 4630	129 535	2
29	Bearing	6202	ČSN 02 4630	9943131	1
30	Bearing	6203	ČSN 02 4630	106 507	1
31	Ring	18x14	ČSN 02 9280.2	189 591	1
32	Ring	14x18 AL	ČSN 02 9310.3	106 539	2
33	Shaft sealing	17x30x7	ČSN 02 9401.0	9943223	1
34	Shaft sealing	25x47x7	ČSN 02 9401.0	124 505	2
35	Key	6x6x20	ČSN 022562	196 536	1