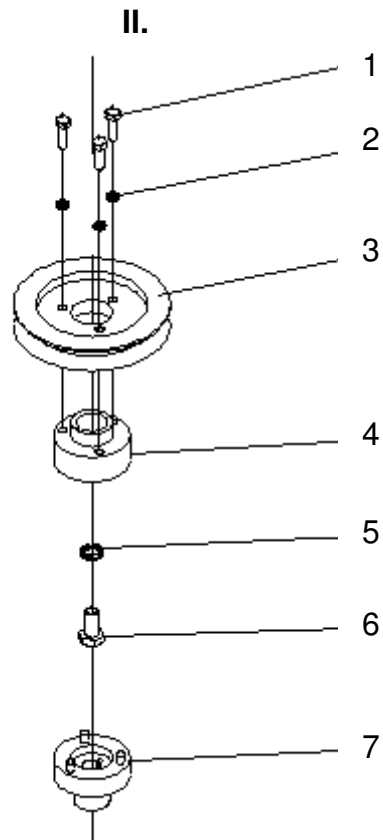
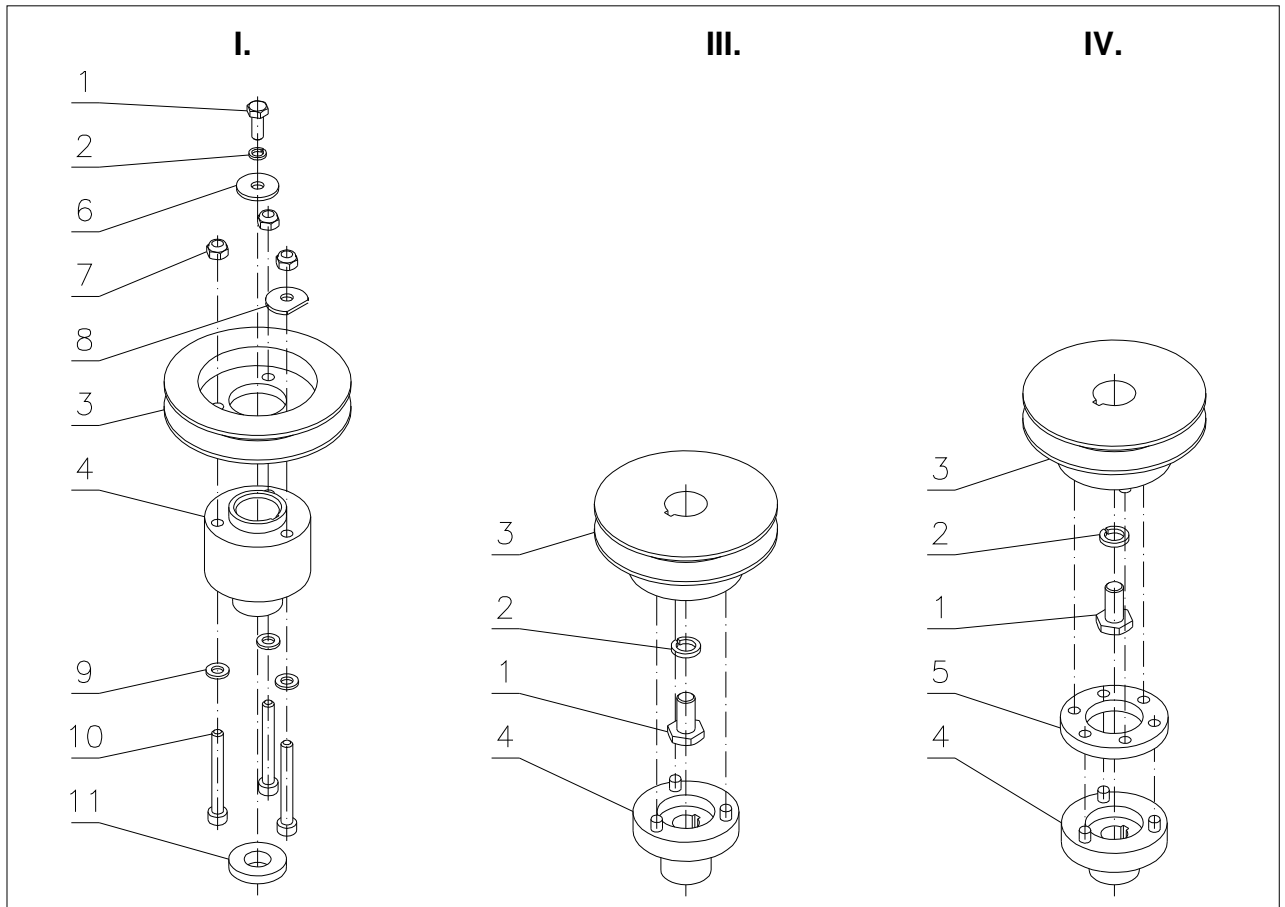


VARI®

Drum mower Type BDR-585/595

**Addition to the spare part lists
Important technical changes**

1. Clutch



I. Pulley with plastic hub

(BDR-585 Adela)

Pos.	Name	Dimensions	Drawing-Standard	Part No.	Pcs
1	Bolt	M6x16	ČSN 02 1103.25	189 552	1
2	Washer	6,1	ČSN 02 1740.05	6510920	1
3	Driving pulley	A13-90	32 0 3325 044	189 033	1
4	Pulley hub		632 0 3325 043B	182 518	1
5					
6	Washer	6,6	ČSN 02 1727.15	169 508	1
7	Nut	M6	ČSN 02 1492.25	168 516	3
8	Washer		32 0 9220 216	189 067	1
9	Washer	6,4	ČSN 02 1702.15	189 571	3
10	Bolt	M6x50	ČSN 02 1143.55	189 549	3
11	Spacer		32 0 9220 220	189 073	1

II. Pulley with driving clutch element

(BDR-585E EuroAdela)

Pos.	Name	Dimensions	Drawing-Standard	Part No.	Pcs
1	Bolt	M6x20	ČSN 02 1103.25	189 551	3
2	Washer	6,1	ČSN 02 1740.05	6510920	3
3	Driving pulley	A13-90	32 0 3325 044	189 033	1
4	Driving clutch element		22 9 3325 027	182 052	1
5	Washer	10,5	ČSN 02 1745.05	124 527	1
6	Bolt	W 3/8"	32 0 9016 057	105 011	1
7	Driven clutch element		22 9 3625 014	182 053	1

III. Pin clutch

Type BDR-595 (year of manufacture 2003)

Pos.	Name	Dimensions	Drawing-Standard	Part No.	Pcs
1	Bolt	W 3/8"	32 0 9016 057	105 011	1
2	Washer	10,2	ČSN 02 1740.05	106 530	1
3	Driving pulley	Ø88	22 9 3325 030	196 026	1
4	Driven clutch element		32 0 3625 029	196 025	1

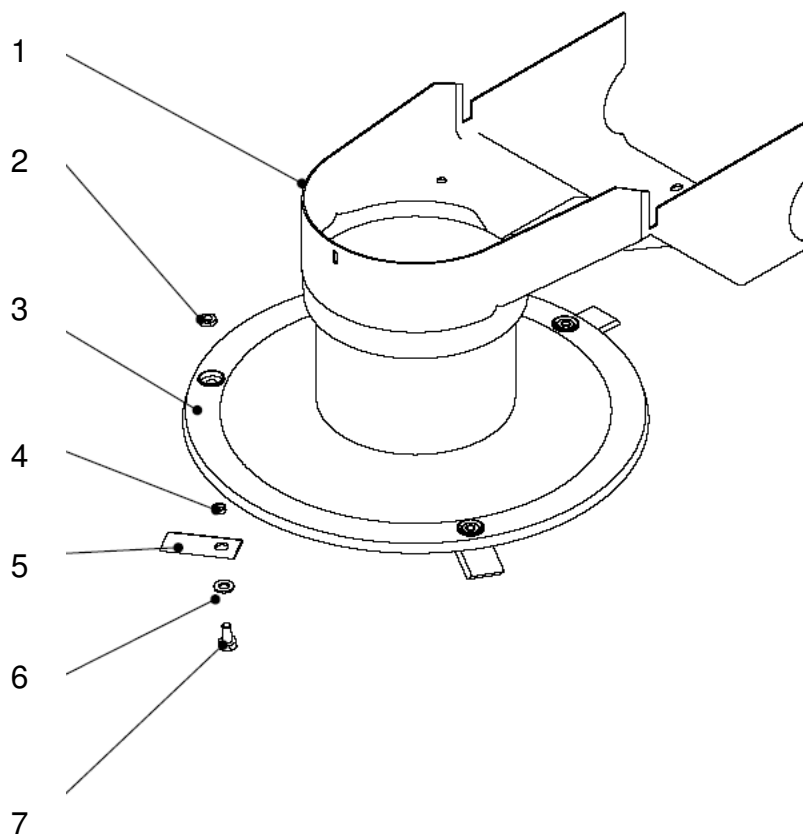
IV. Pin clutch with rubber element

Type BDR-595 (year of manufacture since 2004)

Pos.	Name	Dimensions	Drawing-Standard	Part No.	Pcs
1	Bolt	W 3/8"	32 0 9016 057	105 011	1
2	Washer	10,2	ČSN 02 1740.05	106 530	1
3	Driving pulley		22 9 3325 032	196 046	1
4	Driven clutch element		32 0 3625 029B	196 045	1
5	Rubber element		632 0 9220 231	196 545	1

Note: The clutches I.-III. are no longer produced and no spare parts are available. All these versions have to be replaced with the complete clutch IV. (part No. 196 054).

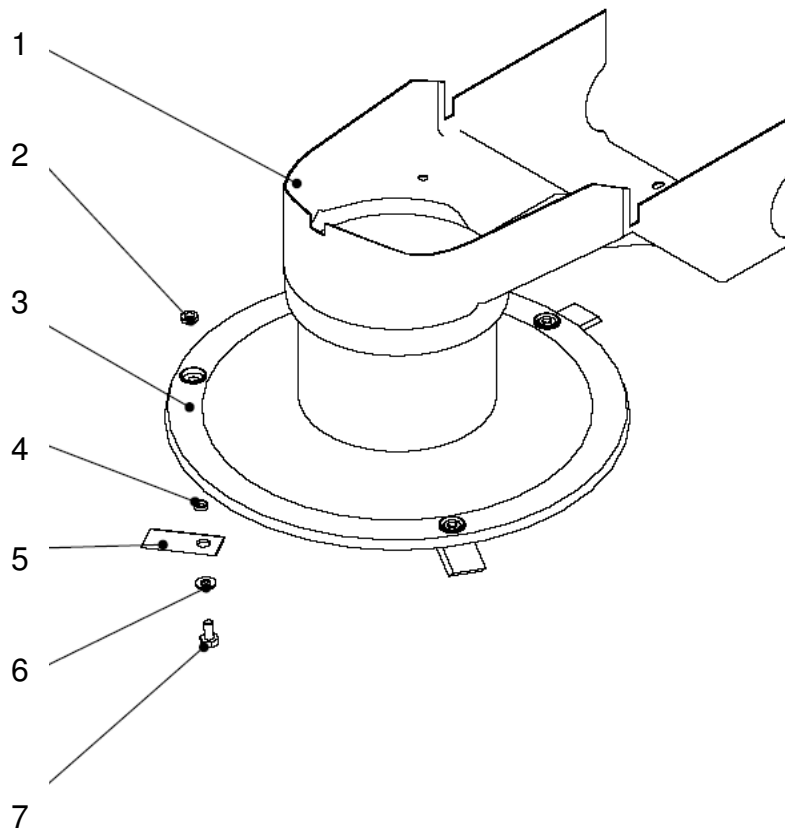
2. Cutting disc



Cutting disc with long neck I					
Pos.	Name	Dimensions	Drawing-Standard	Part No.	Pcs
1	Lower cover		632 0 8545 068	196 549	1
2	Nut	M10 (OK16)	ČSN 02 1403.25	111 503	4
3	Upper disc		22 9 5025 011	196 056	1
4	Washer	14	632 0 9220 205	189 061	4
5	Blade		32 0 6030 009	189 060	4
6	Washer	10,5	ČSN 02 1702.15	189 567	4
7	Bolt	M10x20	ČSN 02 1103.55	1512527	4

Notes:

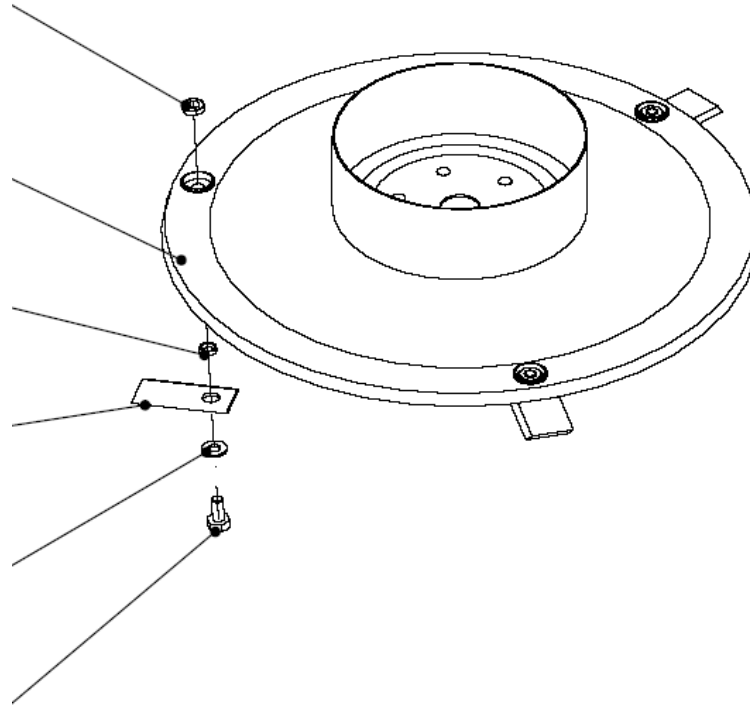
- *This cutting disc is used for all BDR-595GMI Adela 190 and for BDR-595D Adela since September 2004. It can also be used for BDR-595D Adela till August 2004 and for all BDR-585 Adela, in this case is it necessary to change the lower cover (pos. 1 in the table above) at the same time.*
- *The cutting discs with three blades (as seen on the picture) are no longer available; they can be replaced with the discs with four blades without any other changes. The part No. is the same.*
- *Positions 2, 4, 5, 6 and 7 can be purchased in a set of 4 pcs under part No. 189081.*



Cutting disc with long neck II					
Pos.	Name	Dimensions	Drawing-Standard	Part No.	Pcs
1	Lower cover		632 0 8545 069	196 550	1
2	Nut	M10 (OK16)	ČSN 02 1403.25	111 503	4
3	Upper disc		22 9 5025 011	196 056	1
4	Washer	14	632 0 9220 205	189 061	4
5	Blade		32 0 6030 009	189 060	4
6	Washer	10,5	ČSN 02 1702.15	189 567	4
7	Bolt	M10x20	ČSN 02 1103.55	1512527	4

Notes:

- *This cutting disc is used for BDR-595E EuroAdela since 2006. It can also be used for older BDR-595E EuroAdela and for all BDR-585E EuroAdela, in this case it is necessary to change the lower cover (pos. 1 in the table above) at the same time.*
- *The cutting discs with three blades (as seen on the picture) are no longer available; they can be replaced with the discs with four blades without any other changes. The part No. is the same.*
- *Positions 2, 4, 5, 6 and 7 can be purchased in a set of 4 pcs under part No. 189081.*



Cutting disc with short neck					
Pos.	Name	Dimensions	Drawing-Standard	Part No.	Pcs
1	Nut	M10 (OK16)	ČSN 02 1403.25	111 503	4
2	Upper disc		22 9 5025 007	189 056	1
3	Washer	14	632 0 9220 205	189 061	4
4	Blade		32 0 6030 009	189 060	4
5	Washer	10,5	ČSN 02 1702.15	189 567	4
6	Bolt	M10x20	ČSN 02 1103.55	1512527	4

Notes:

- *This cutting disc is available as a spare part for all machines which were equipped with the cutting disc with short neck, i.e.: all machines of the BDR-585 line, BDR-595D Adela till August 2004, BDR-595E EuroAdela till 2005 (incl.) If the upper disc (pos. 2) is changed for the first time, it is necessary to change positions 1 and 6 at the same time (because of modified holes for blades on the current discs).*

It is also possible to replace this cutting disc with the new cutting disc with long neck – it is necessary to replace the lower cover at the same time (see the tables and notes above).

Overview of part numbers of the lower covers for the cutting discs with short neck (not shown in the picture):

- 189 502 BDR-585 Adela*
- 189 541 BDR-585E EuroAdela*
- 196 501 BDR-595D Adela*
- 196 513 BDR-595E EuroAdela*