

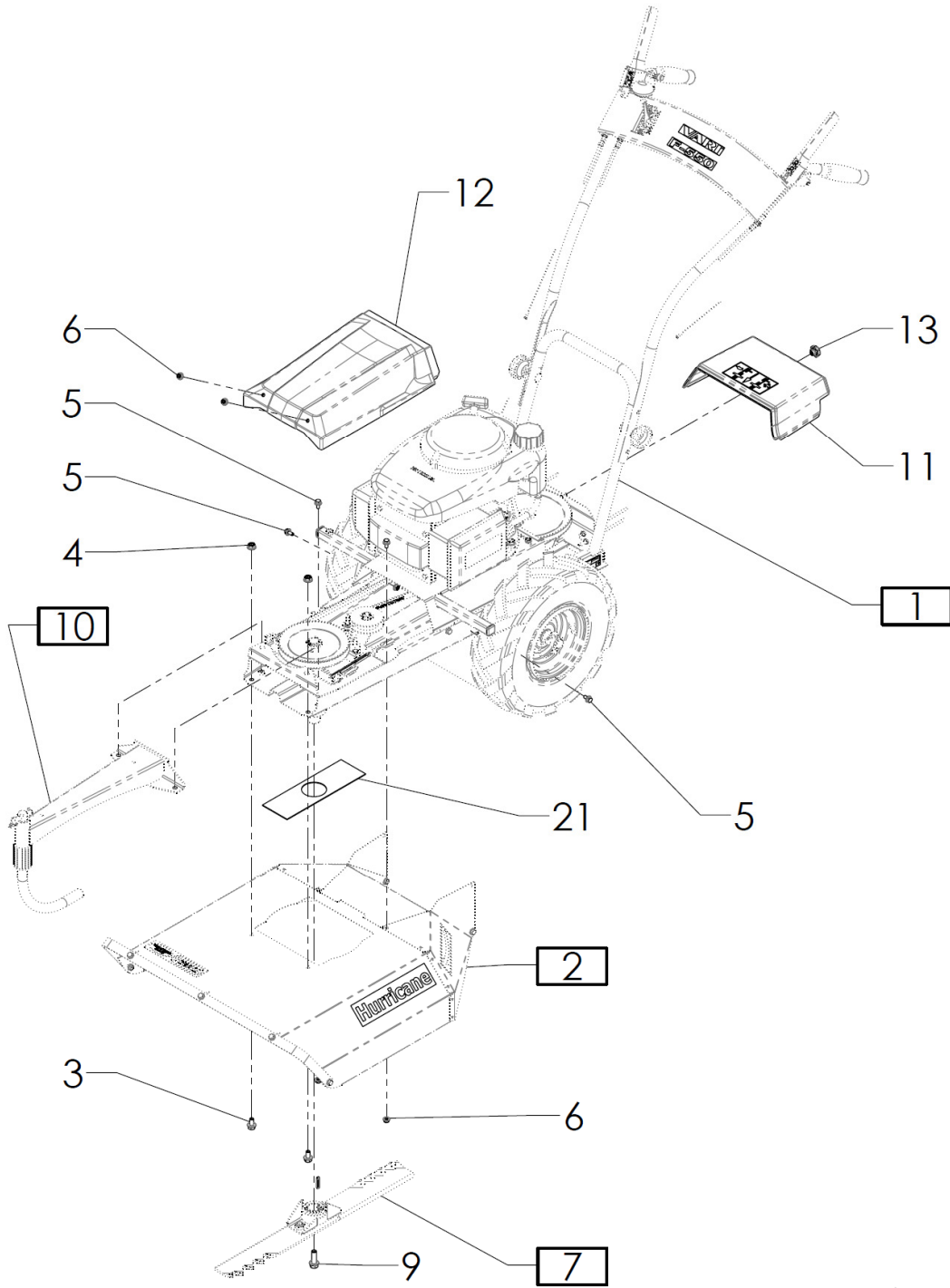
# VARI®



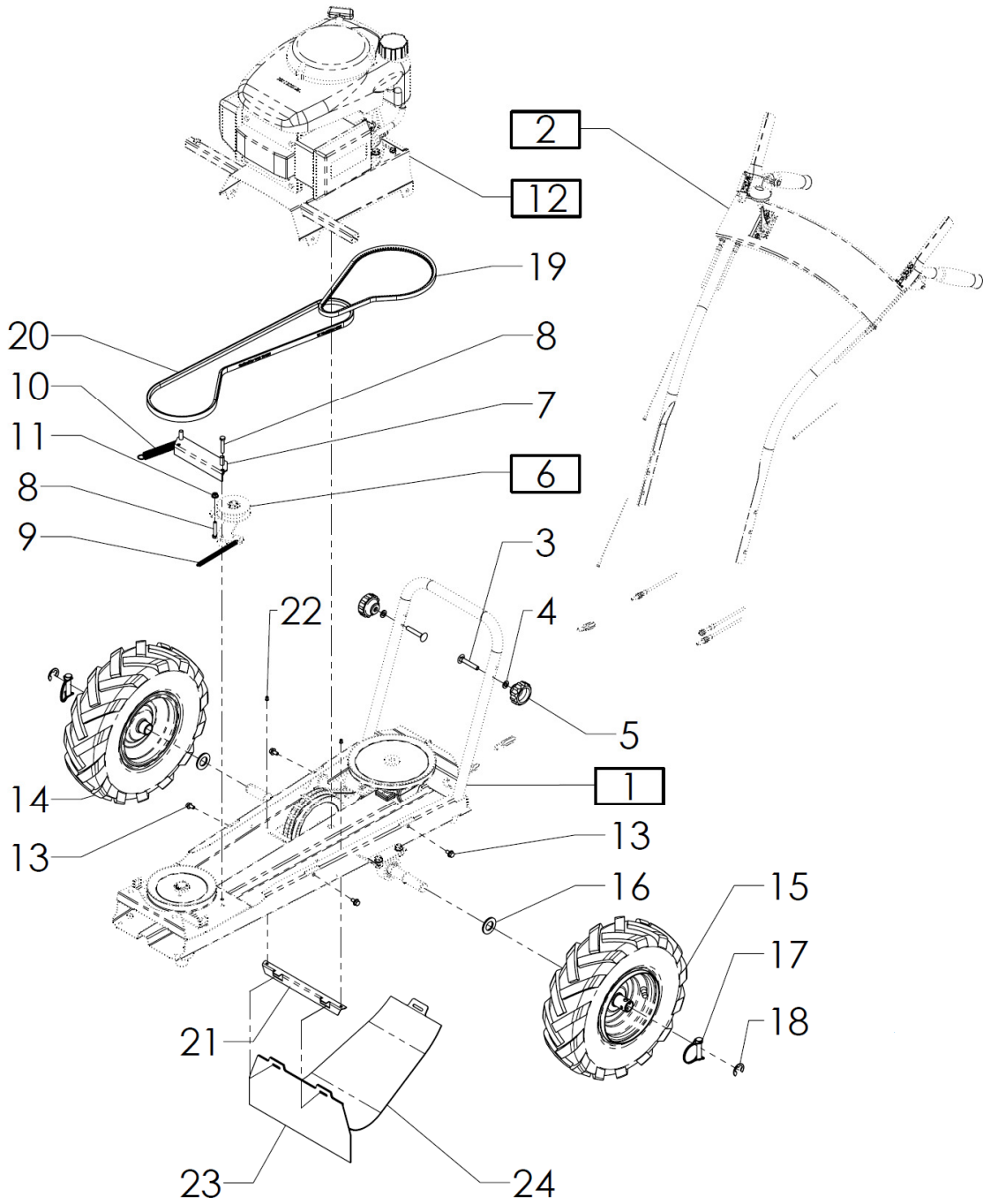
**F-550**  
**Model No. 1004400036**

## **SPARE PART LIST**

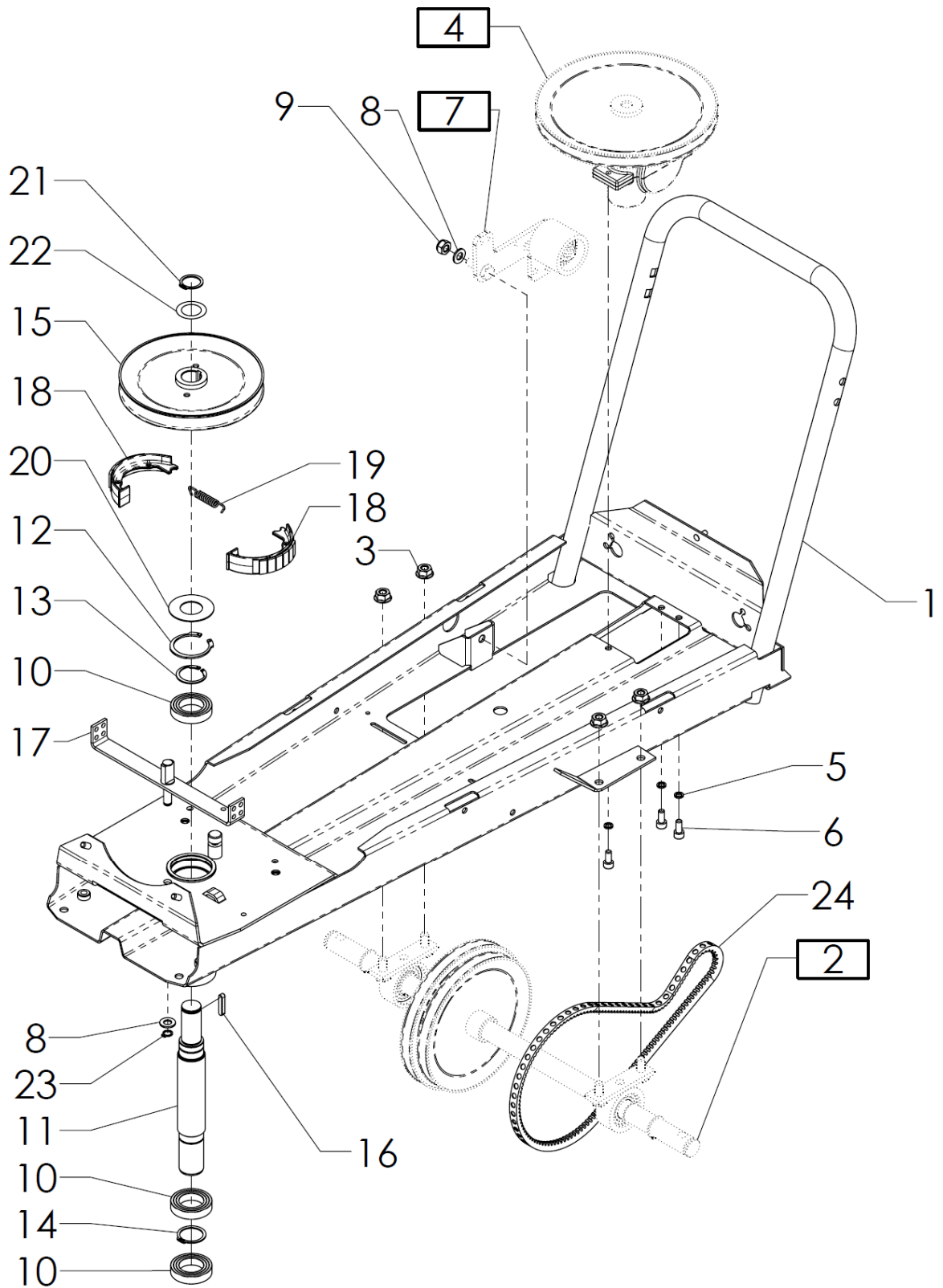
**2012**



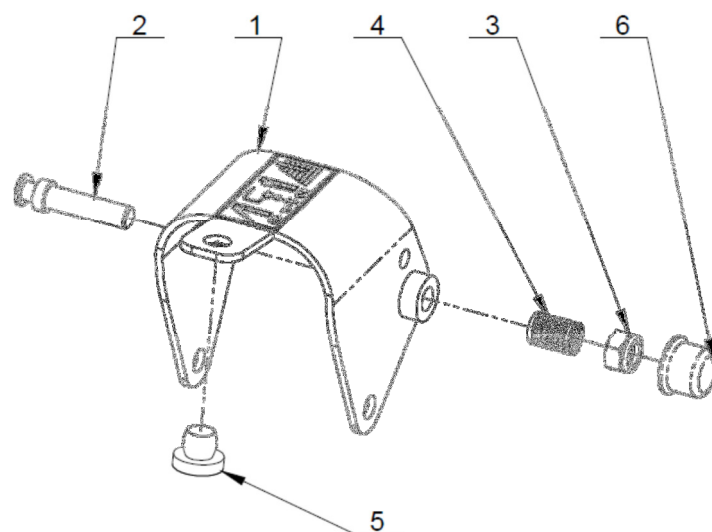
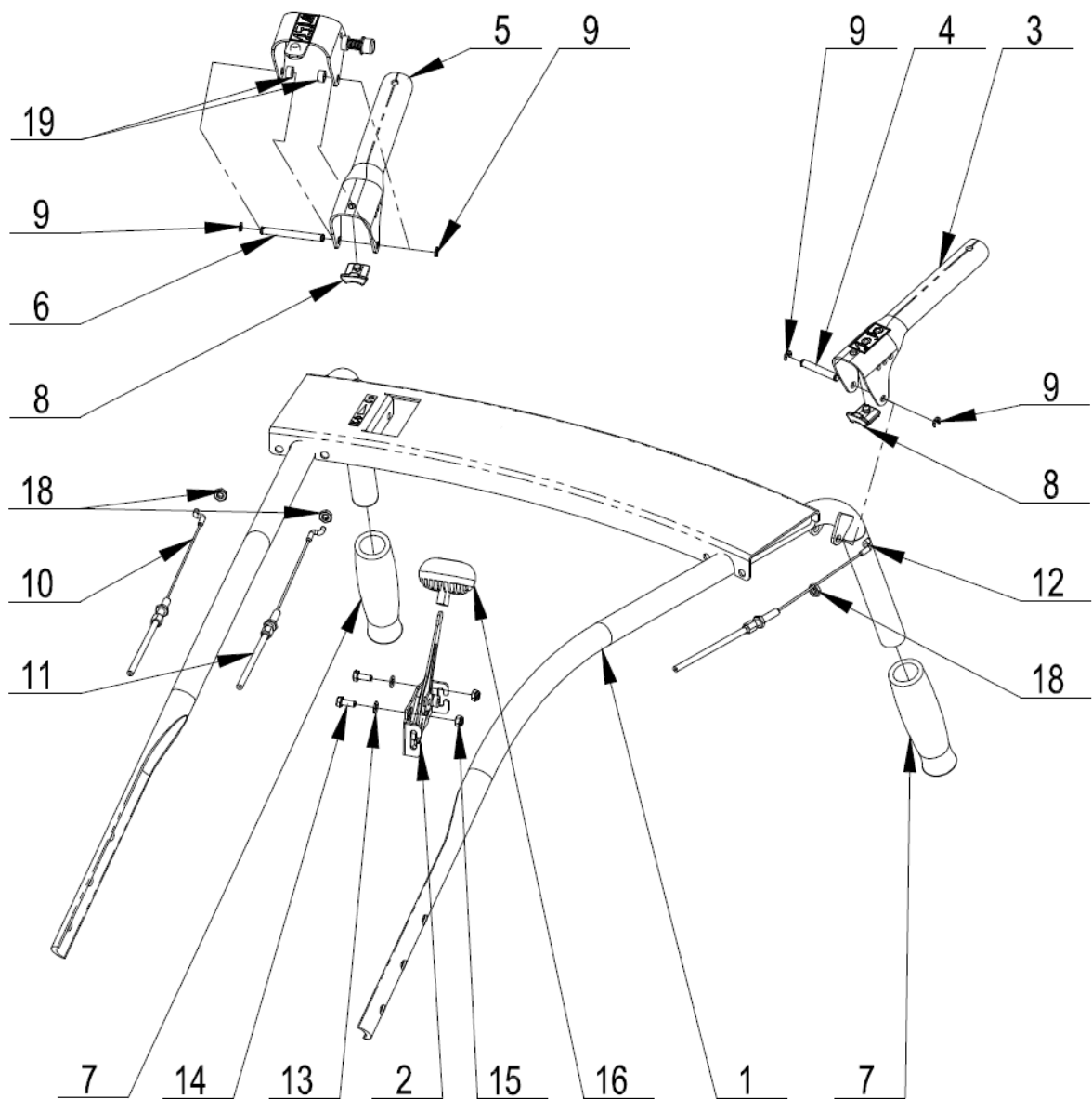
<b>Pos.</b>	<b>Name</b>	<b>Part No.</b>	<b>Pcs</b>
1	Chassis	<i>See page 4</i>	1
2	Working space cover	<i>See page 10</i>	1
3	Bolt M8x16	51309900011	2
4	Nut M8	51311900006	2
5	Bolt M6x12	51309900007	4
6	Nut M6	51311900005	6
7	Blade assembly	<i>See page 11</i>	1
8	Key 5e7x5x28	51311726036	1
9	Bolt M10x30	51309900012	1
10	Sliding shoe	<i>See page 12</i>	1
11	Gearbox cover	3004400021	1
12	Belt cover	3004400022	1
13	Bolt with plastic head STGM30 M5	51321461064	1
19	Square cap	169506	2
21	Centre cover	3004400059	1



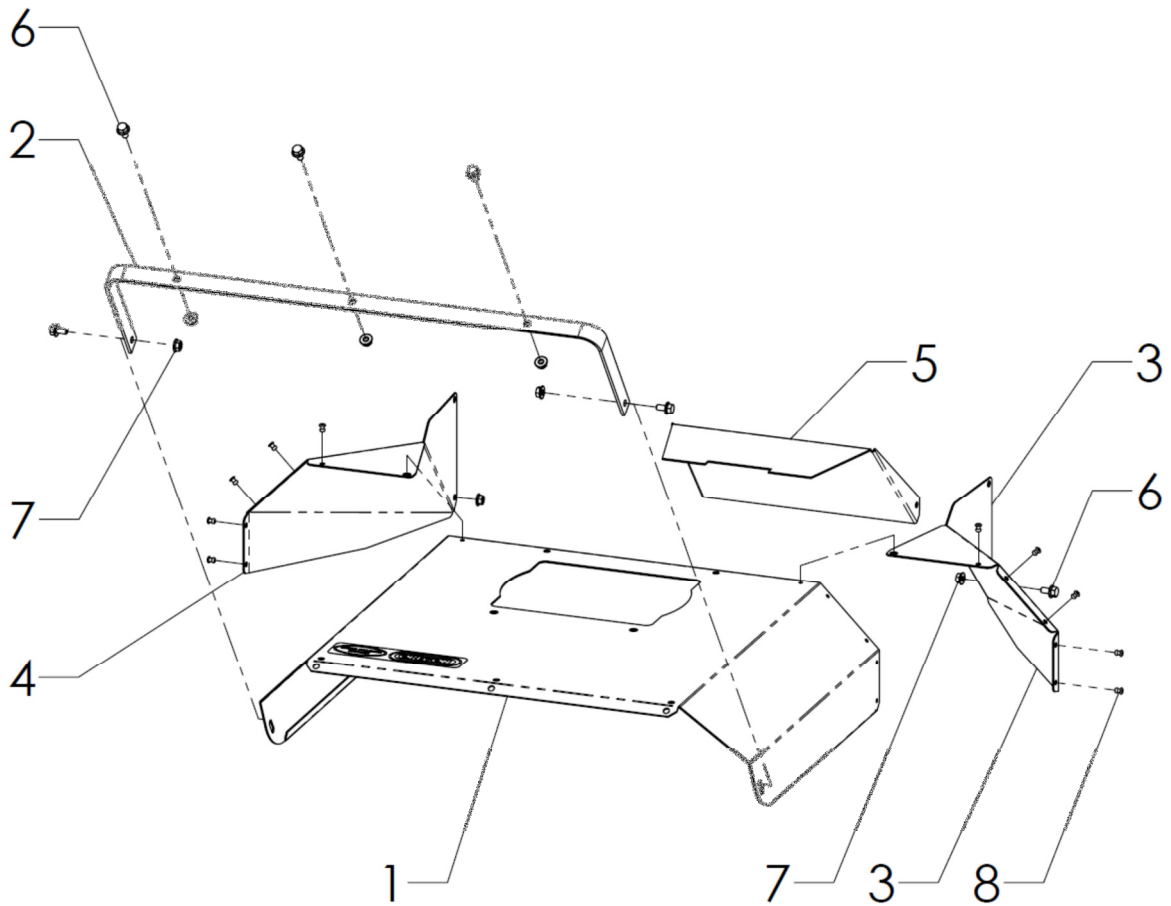
<b>CHASSIS</b>			
<b>Pos.</b>	<b>Name</b>	<b>Part No.</b>	<b>Pcs</b>
1	Basis	<i>See page 6</i>	1
2	Handlebars assembly	<i>See page 8</i>	1
3	Bolt M8x50	189593	2
4	Washer B 8,4	131517	2
5	Bolt with plastic head	189521	2
6	Disc pulley	<i>See page 20</i>	1
7	Holder	2004400012	1
8	Bolt M6x35	184587	3
9	Spring T 080.088.0632	184553	1
10	Tension spring TZ 1,8x16,2x63x20	169514	1
11	Nut M6	51311900005	1
12	Plate with engine	<i>See page 13</i>	1
13	Bolt M6x12	51309900007	4
14	Right wheel 3.50-6	2001400049	1
15	Left wheel 3.50-6	2001400048	1
16	Washer B 21	124530	2
17	Pin 10x45	182533	2
18	Ring 15	184621	2
19	V-Belt OPTIBELT AVX10x763La Marathon 1	51272212101	1
20	V-Belt OPTIBELT TX13x1280Ld 6T6K	184531	1
21	Cover holder	3004400006	1
22	Rivet 4x8 ST/ST	51311698057	2
23	Mud flap	3004400007	1
24	Gearbox cover	3004400008	1



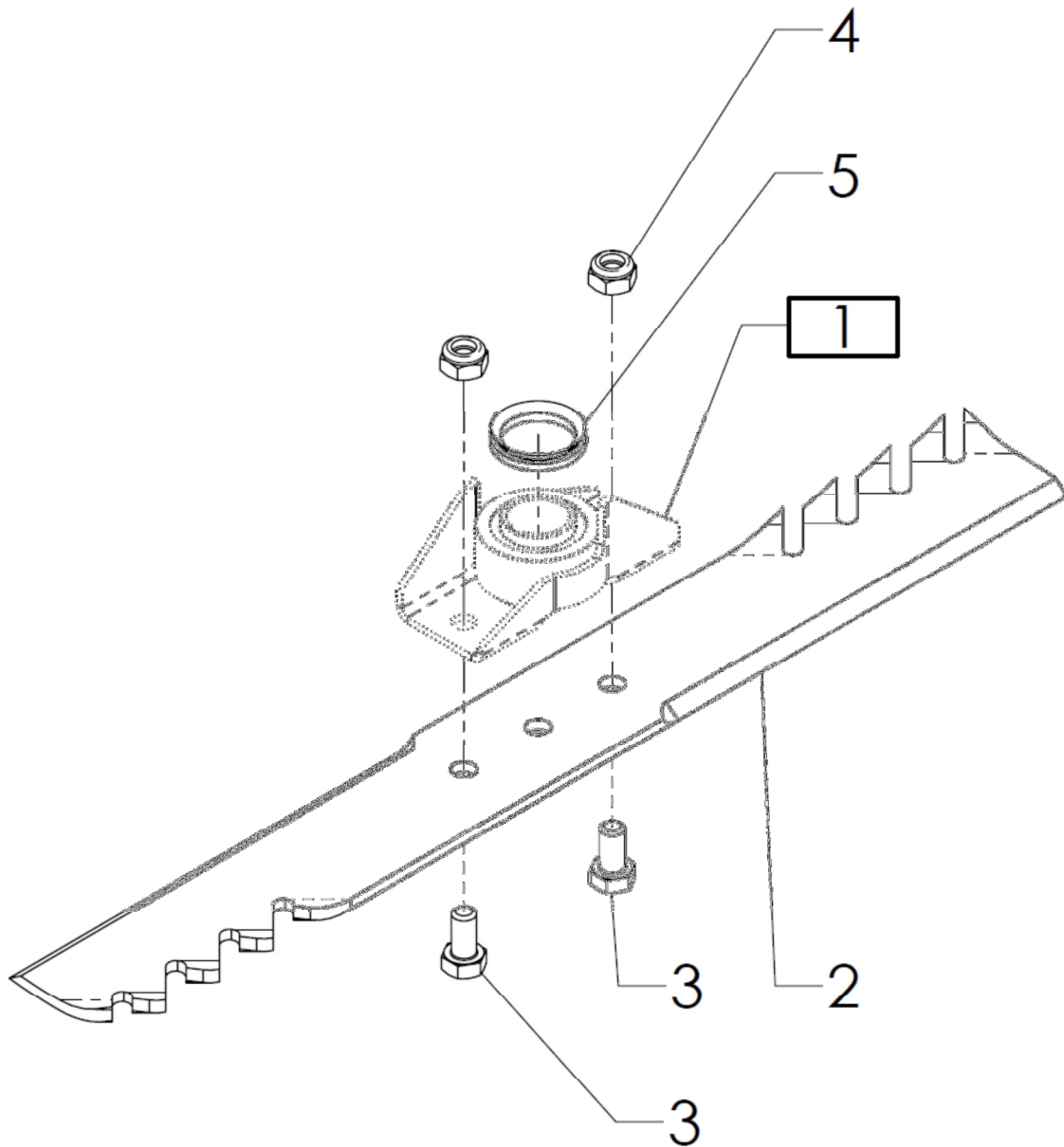
<b>BASIS</b>			
<b>Pos.</b>	<b>Name</b>	<b>Part No.</b>	<b>Pcs</b>
1	Frame	2004400002	1
2	Wheel axle	<i>See page 14</i>	1
3	Nut M8	51311900006	4
4	Gearbox BDR-620 (2010) <i>(see details on page 16)</i>	2003900066	1
5	Washer 6	6510920	3
6	Bolt M6x14	182514	3
7	Wheel drive double pulley	<i>See page 18</i>	1
8	Washer B 8,4	131517	2
9	Nut M8	104622	1
10	Bearing 61905-2RS1 (25x42x9)	51324162020	3
11	Blade shaft	3004400003	1
12	Ring JV 42	51311733127	1
13	Ring AV 25	51311733128	1
14	Retaining ring 25x1,2	131520	1
15	Driven pulley	189004	1
16	Key 5e7x5x25	189574	1
17	Brake toggle	2298032059	1
18	Brake shoe	189014	2
19	Brake shoe spring	189511	1
20	Cover	127014	1
21	Retaining ring 20x1,2	110515	1
22	Spacer ring 20,2x30,5x0,1	124014	1
23	Retaining ring 8x0,8	195534	1
24	V-belt OPTIBELT AVX10x763La Marathon 1	51272212101	1



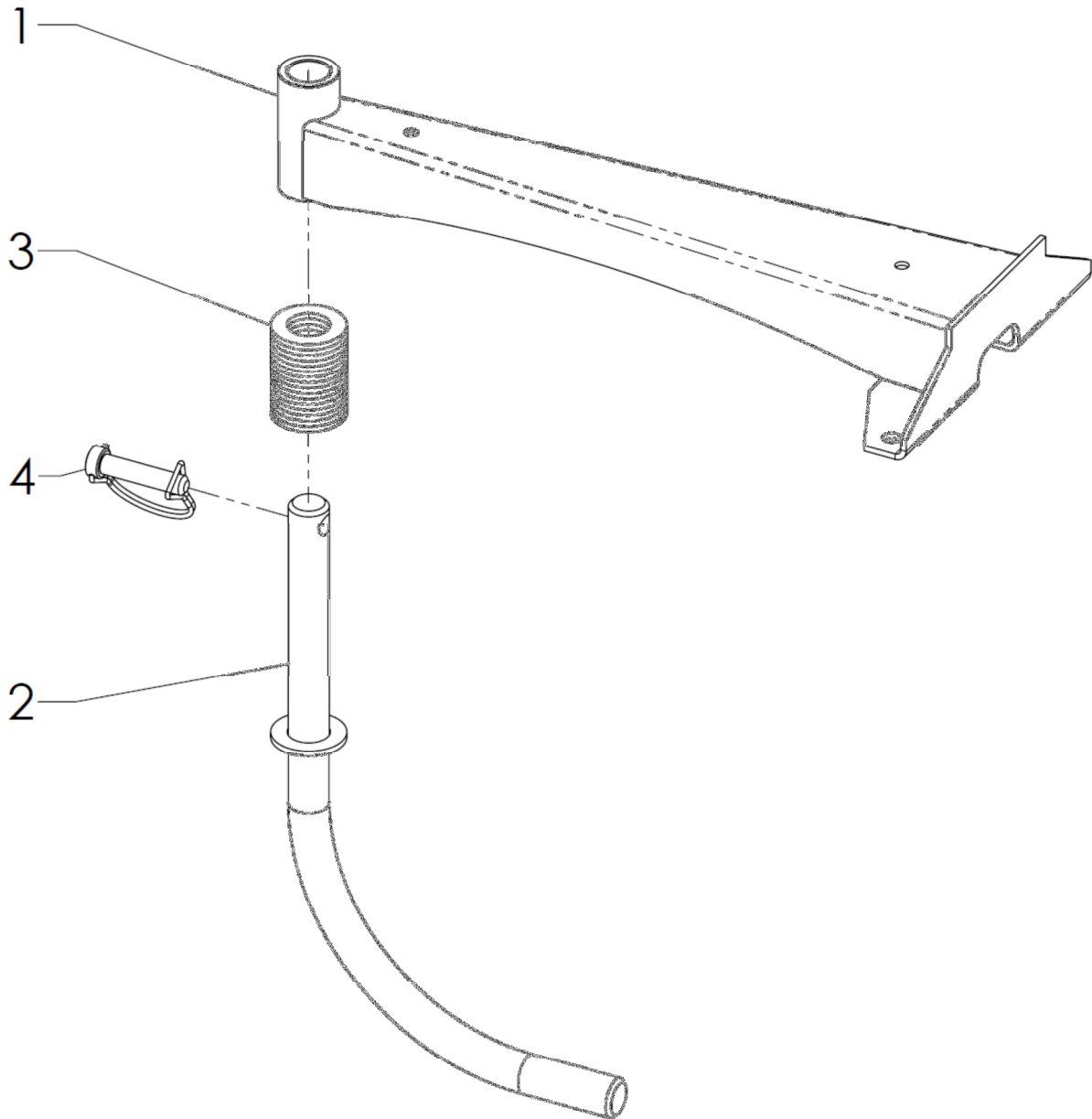
<b>HANDLEBARS</b>			
<b>Pos.</b>	<b>Name</b>	<b>Part No.</b>	<b>Pcs</b>
1	Handlebars – weldment	2001400013	1
2	Accelerator lever	184520	1
3	Control lever (wheel drive – left)	196013	1
4	Lever pin (wheel drive – left)	196520	1
5	Control lever (disc drive – right)	196067	1
6	Lever pin (disc drive – right)	3000800189	1
7	Black rubber handle	195518	2
8	Rubber stop	196519	2
9	Retaining ring 4	189576	4
10	Brake bowden cable	2001400018	1
11	Pulley bowden cable	2001400019	1
12	Clutch bowden cable	2001400020	1
13	Washer B 5,3	189581	2
14	Bolt M5x12	184524	2
15	Nut M5	105518	2
16	Red knob	184519	1
17			
18	Nut M6	105520	3
19	Spacer ring	51321840031	2
<b>Lever lock detail (lower picture):</b>			
1	Lever shackle	2005100004	1
2	Lock lever pin	3005100007	1
3	Nut M6	168516	1
4	Spring	106509	1
5	Rubber ring	182534	1
6	Nut cap	169505	1



WORKING SPACE COVER			
Pos.	Name	Part No.	Pcs
1	Main cover	3004400029	1
2	Cover guard	3004400030	1
3	Left sideboard	3004400031	1
4	Right sideboard	3004400032	1
5	Middle cover	3004400033	1
6	Bolt M6x12	51309900007	7
7	Nut M6	51311900005	7
8	Rivet 4x8 ST/ST	51311698057	10



BLADE ASSEMBLY			
Pos.	Name	Part No.	Pcs
1	Blade holder	2004400034	1
2	GATOR blade	180500	1
3	Bolt M10x20	1512527	2
4	Nut M10	195527	2
5	V-ring VA-30	51273111223	1



SLIDING SHOE			
Pos.	Name	Part No.	Pcs
1	Sliding shoe arm	2004400018	1
2	Sliding shoe	2004400015	1
3	Washer B 21	124530	16
4	Pin 10x45	182533	1

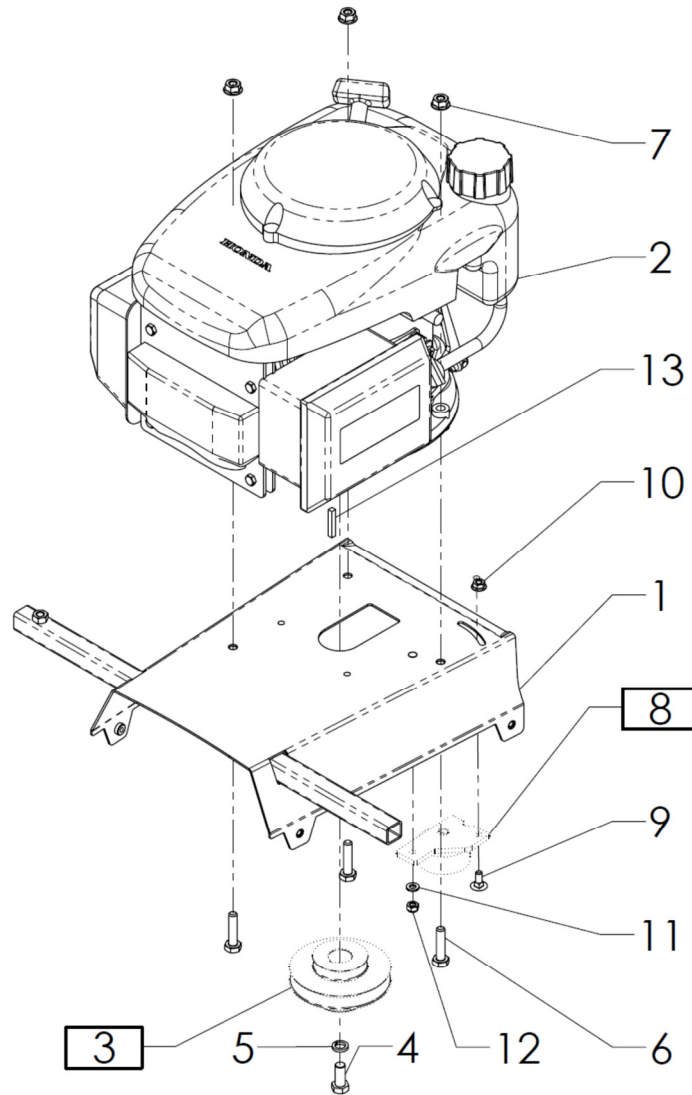
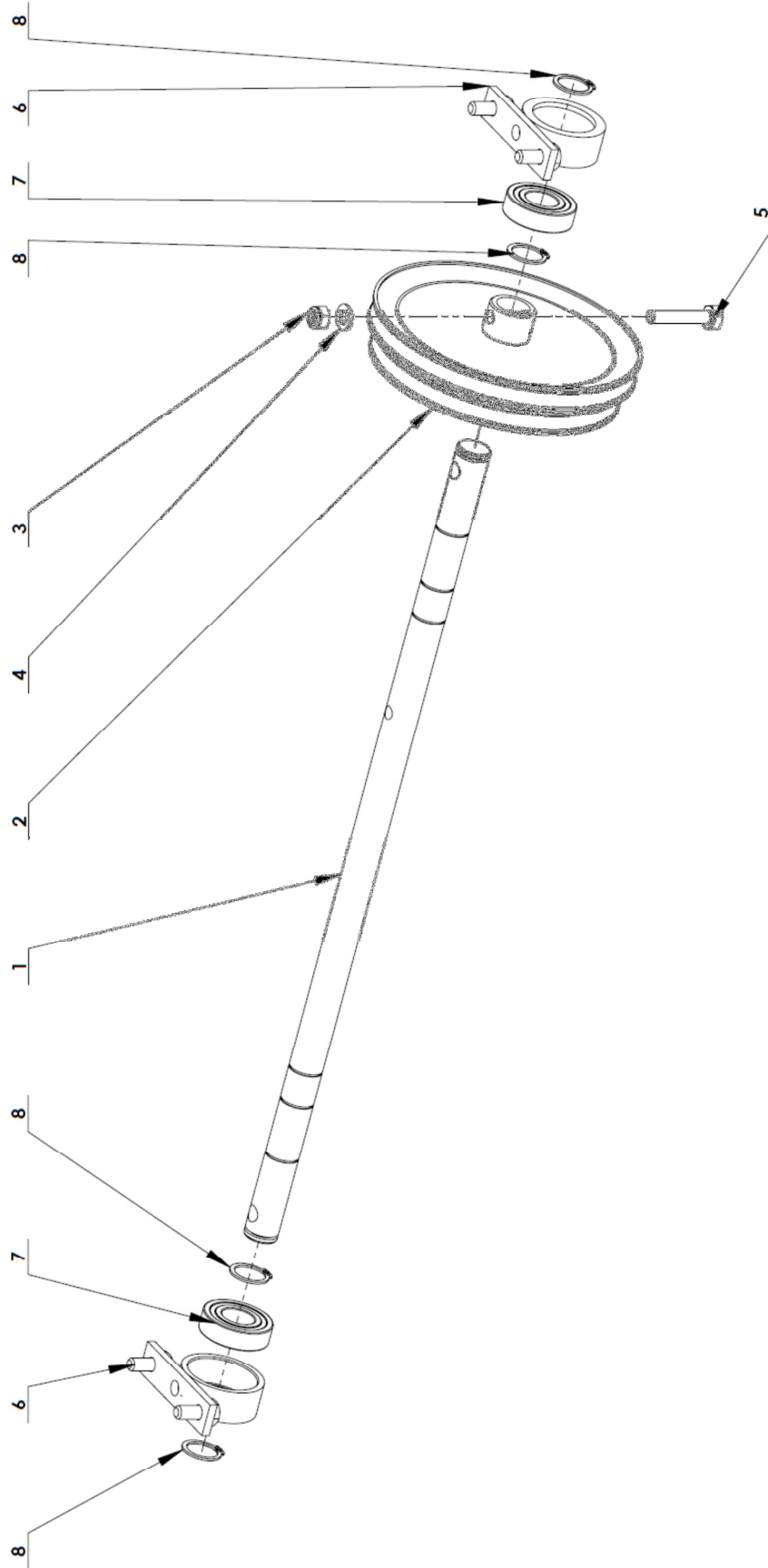
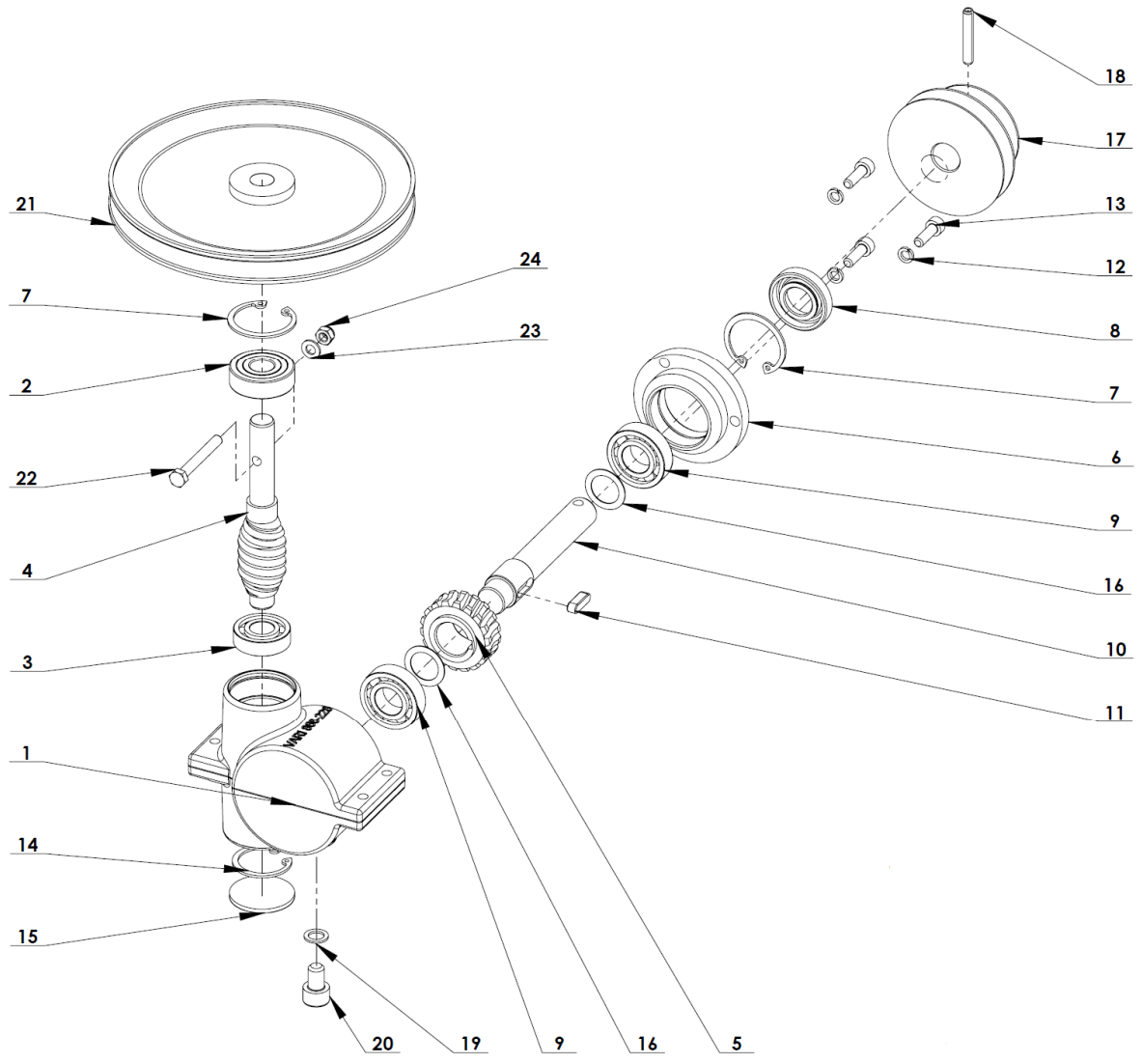


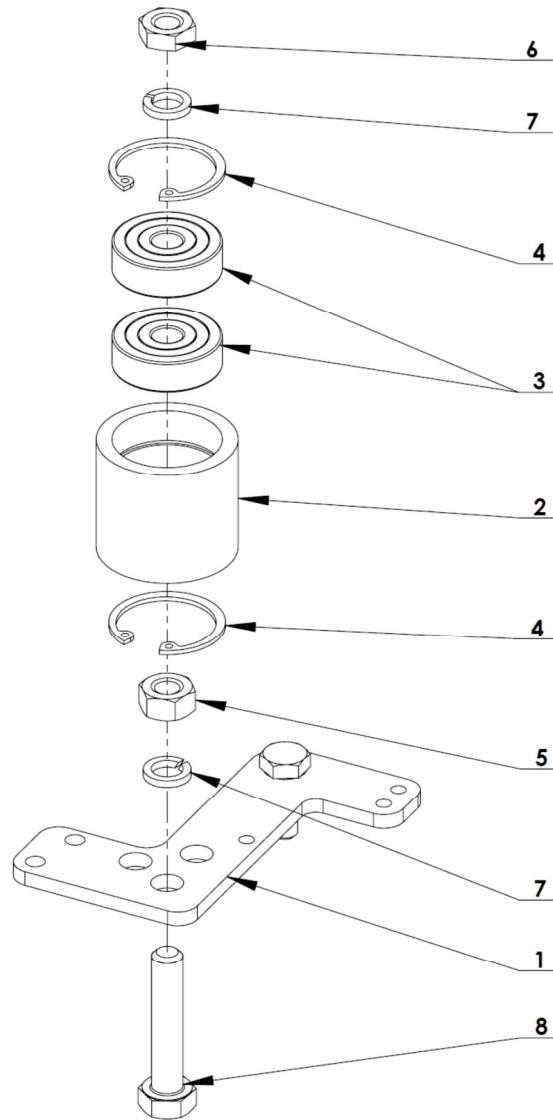
PLATE WITH ENGINE			
Pos.	Name	Part No.	Pcs
1	Engine plate	2004400009	1
2	Engine HONDA GCV 190A	184624	1
3	Driving pulley	See page 19	1
4	Bolt W 3/8"x7/8"	51309900018	1
5	Washer 10	106530	1
6	Bolt M8x35	150540	3
7	Nut M8	51311900006	3
8	Pulley assembly	See page 21	1
9	Bolt M6x16	51309019076	1
10	Nut M6	51311900005	1
11	Washer B 6,4	189571	1
12	Nut M6	168516	1
13	Key 3/16"x30	189036	1



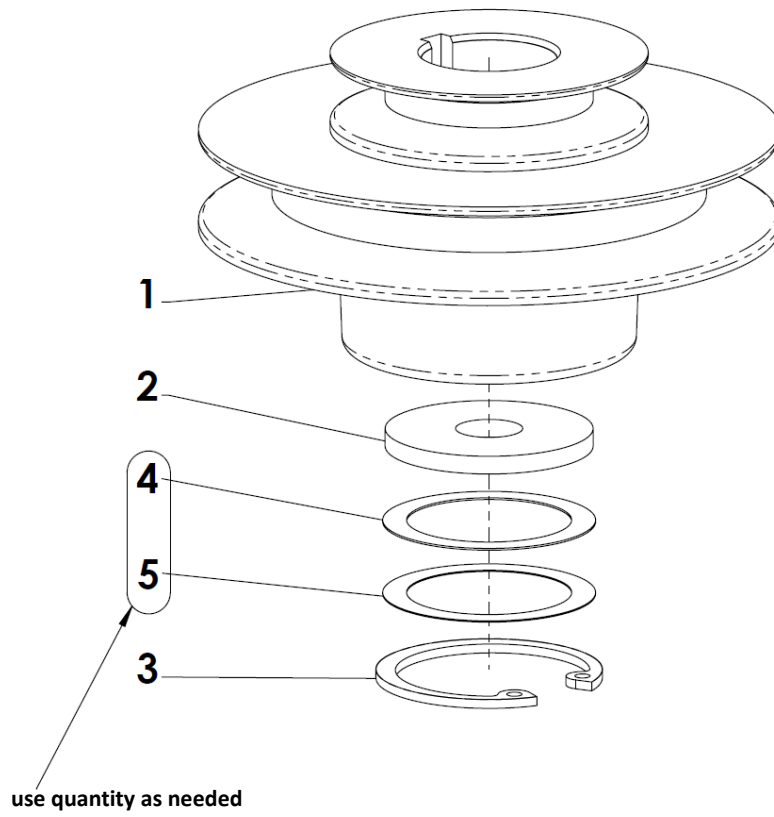
<b>WHEEL AXLE</b>			
<b>Pos.</b>	<b>Name</b>	<b>Part No.</b>	<b>Pcs</b>
1	Wheel axle shaft	3003900010	1
2	Wheel drive double pulley	2003900003	1
3	Nut M8	104622	1
4	Washer B 8,4	131517	1
5	Bolt M8x40	169509	1
6	Bearing housing	2291646043	2
7	Bearing 6004-2RS (20x42x12)	9943158	2
8	Retaining ring 20x1,2	110515	4



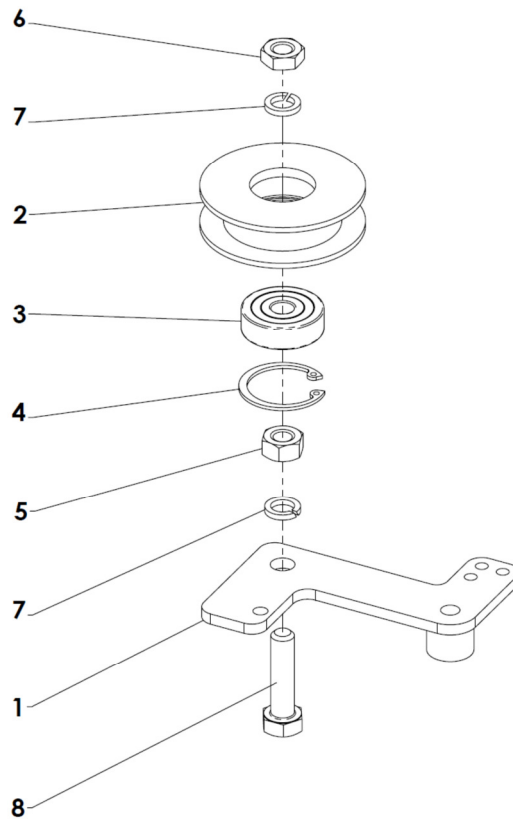
<b>GEARBOX</b>			
<b>Pos.</b>	<b>Name</b>	<b>Part No.</b>	<b>Pcs</b>
1	Casing	<i>Not available as a spare part</i>	1
2	Bearing 6201-2RS (12x32x10)	<i>Not available as a spare part</i>	1
3	Bearing 6001 (12x28x8)	<i>Not available as a spare part</i>	1
4	Worm shaft 1:9	<i>Not available as a spare part</i>	1
5	Worm gear (18 cogs)	196065	1
6	Cover	<i>Not available as a spare part</i>	1
7	Retaining ring 32x1,2	123504	2
8	Shaft seal G 15-32-7	196560	1
9	Bearing 6002 (15x32x9)	<i>Not available as a spare part</i>	2
10	Worm gear shaft	<i>Not available as a spare part</i>	1
11	Key 5e7x5x16	150544	1
12	Washer 5	127512	3
13	Bolt M5x16-8.8-A3L	51309543112	3
14	Retaining ring 28x1,2	<i>Not available as a spare part</i>	1
15	Plug BN 742 diam. 32	<i>Not available as a spare part</i>	1
16	Lead-in washer	110013	2
17	Driving double pulley	3003900009	1
18	Pin 5x30-St	51311515353	1
19	Sealing ring 8x12	<i>Not available as a spare part</i>	1
20	Bolt M8x12	169515	1
21	Driven pulley diam. 150	2003900014	1
22	Bolt M5x40	105517	1
23	Washer B 5,3	189581	1
24	Nut M5	105518	1



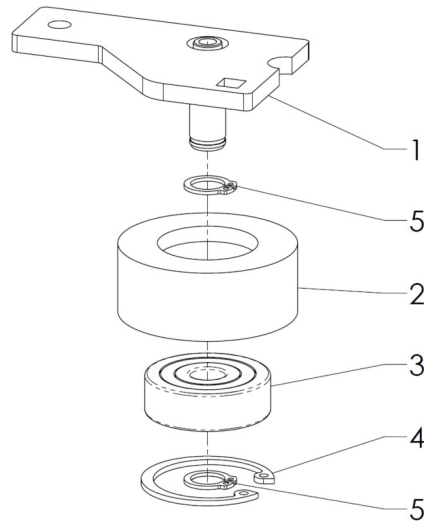
WHEEL DRIVE DOUBLE PULLEY			
Pos.	Name	Part No.	Pcs
1	Pulley arm	2293330030	1
2	Double pulley	3003900013	1
3	Bearing 6300-2RS (10x35x11)	189585	2
4	Retaining ring 35x1,5	126503	2
5	Nut M10	106529	1
6	Nut M10	111503	1
7	Washer 10	106530	2
8	Bolt M10x50	115506	1



DRIVING PULLEY			
Pos.	Name	Part No.	Pcs
1	Driving pulley	3203325079	1
2	Washer 11	195528	1
3	Retaining ring 35x1,5	126503	1
4	Spacer ring 34,80x27x0,30	127043	4*
5	Spacer ring 34,80x27x0,20	126003	2*
*	<i>use quantity as needed</i>		



DISC PULLEY			
Pos.	Name	Part No.	Pcs
1	Pulley arm	2293330029	1
2	Pulley	189586	1
3	Bearing 6300-2RS (10x35x11)	189585	1
4	Retaining ring 35x1,5	126503	1
5	Nut M10	106529	1
6	Nut M10	111503	1
7	Washer 10	106530	2
8	Bolt M10x40	51309203656	1



<b>PULLEY ASSEMBLY</b>			
<b>Pos.</b>	<b>Name</b>	<b>Part No.</b>	<b>Pcs</b>
1	Pulley arm	2004400042	1
2	Pulley	3001401107	1
3	Bearing 6300-2RS (10x35x11)	189585	1
4	Retaining ring 35x1,5	126503	1
5	Retaining ring 10x1	6021519	2